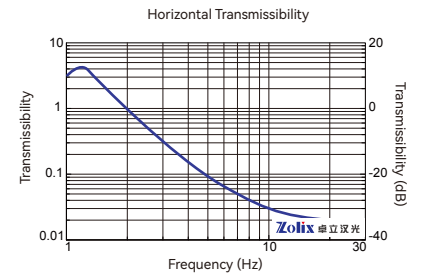
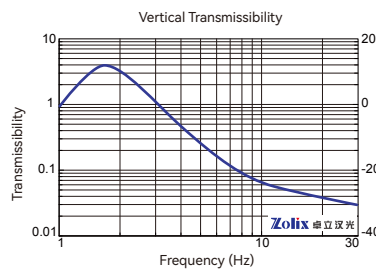


TPR Series Pneumatic Vibration Isolation Optical Table



Naming rule:

TPR 15 - 09 (-K) (-304) (-316)(-WQB)

Series code:
TPR: Three wire pendulum type pneumatic vibration isolation optical table

Tabletop length:
15: 1500mm
18: 1800mm
20: 2000mm
:

Tabletop width:
09: 900mm
12: 1200mm
15: 1500mm
:

Tabletop structure:
None (default): Welded table
-K: Bonded trussed Honeycomb table with individual cleaning cup

Top surface material:
None (default): SUS430 stainless steel
-304: working surface material is SUS304 stainless steel
-316: working surface material is SUS316 stainless steel

Option for air compressor:
None (default): air compressor is included
-WQB: air compressor is not included

Features:

- Unique three wire pendulum vibration isolation system provides excellent vibration isolation in both vertical and horizontal directions.
- Lamina damping element is used for better sensitivity.
- Tabletop height indicator function makes height adjustment more convenient.
- The standard table top surface material is SUS430 (1Cr17) high magnetic conductivity stainless steel. In addition, SUS304 weak magnetic conductivity stainless steel, SUS316 extremely weak magnetic conductivity stainless steel are also available.

• Application:

- It is widely used to place precision optical instruments, such as high magnification microscope and laser confocal microscopy, and is also commonly used in optical communication industry to build small optical paths.

Specifications:

- Resonant frequency: vertical direction <math>< 1.5 \sim 2.5\text{Hz}</math>;
- Horizontal direction <math>< 1 \sim 1.5\text{Hz}</math>
- Vibration isolation efficiency:
- Vertical direction: 5Hz: 75~92%; 10Hz: 90%~95%
- Horizontal direction: 5Hz: 88~94%; 10Hz: 92%~98%
- Pneumatic vibration isolation mechanism: Three wire pendulum vibration isolation system
- Damping vibration isolation mechanism: Lamina damping
- Tabletop: Three layer sandwich honeycomb type (Bonded trussed honeycomb table with individual cleaning cup is optional)
- Working surface flatness:
- Welded tabletop: 0.02~0.05mm/600mmx600mm
- Bonded trussed tabletop: 0.1mm/600mmx600mm
- Tabletop thickness: 200mm/300mm
- Working surface material: 4~6mm thick stainless steel
- Bottom skin: 4~6mm thick carbon steel
- Side plate material: blue PU leather in welded tabletop. Black PU leather in bonded trussed tabletop.
- Mounting hole: M6
- Mounting hole grid: 25mmx25mm
- Mounting hole to borders: 37.5mm
- Total height (tabletop and frame): 800mm
- Height adjustment: -10~+15mm
- Load capacity: 1000Kg (4 legs)/1500Kg (6 legs)
- Maximum air pressure: 0.7MPa
- Recommended working air pressure: 0.3~0.4MPa
- Horizontal repetition accuracy: $\pm 0.5\text{mm}$

Details:

Oil/water separator



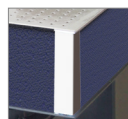
Portable air compressor (Low noise, oil free)



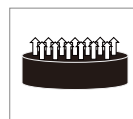
Structure to adjust the levelness and height of the pneumatic optical table



Corner covered with stainless steel



Lamina damping



Wrench



Bullseye level



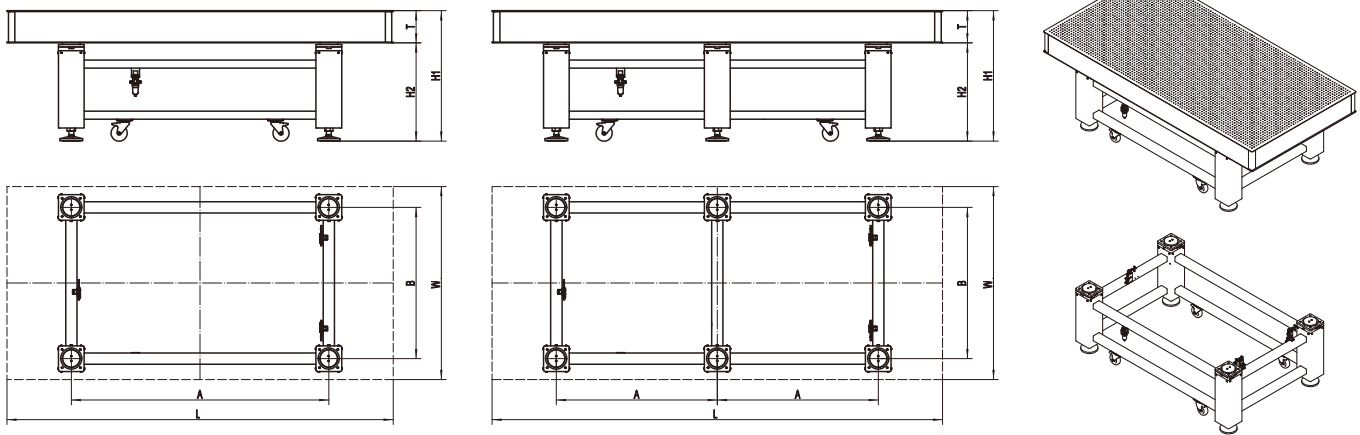
Selection Table:

Model	Size(mm)	Tabletop thickness(Kg)	Tabletop weight(Kg)	Table Feet Area(mm)	Load capacity(Kg)	Notes
TPR15-09(-K)	1500×900×800	200	189	160×160	1000	4legs
TPR15-10(-K)	1500×1000×800	200	210	160×160	1000	4legs
TPR15-12(-K)	1500×1200×800	200	252	160×160	1000	4legs
TPR15-15(-K)	1500×1500×800	200	315	160×160	1000	4legs
TPR18-09(-K)	1800×900×800	200	227	160×160	1000	4legs
TPR18-10(-K)	1800×1000×800	200	252	160×160	1000	4legs
TPR18-12(-K)	1800×1200×800	200	302	160×160	1000	4legs
TPR18-15(-K)	1800×1500×800	200	378	160×160	1000	4legs
TPR20-10(-K)	2000×1000×800	200	280	160×160	1000	4legs
TPR20-12(-K)	2000×1200×800	200	336	160×160	1000	4legs
TPR20-15(-K)	2000×1500×800	200	420	160×160	1000	4legs
TPR24-12(-K)	2400×1200×800	200	403	160×160	1000	4legs
TPR24-15(-K)	2400×1500×800	200	504	160×160	1000	4legs
TPR24-18*	2400×1800×800	200	605	160×160	1000	4legs
TPR30-12(-K)	3000×1200×800	300	601	160×160	1500	6legs
TPR30-15(-K)	3000×1500×800	300	752	160×160	1500	6legs
TPR35-12	3500×1200×800	300	701	160×160	1500	6legs
TPR35-15	3500×1500×800	300	877	160×160	1500	6legs

Notes: Model without (-K), indicating no option for honeycomb bonded trussed tabletop with individual cleaning cup.

*Notes: If the tabletop width is larger than 1500mm (not included), the material of working surface is 1Cr13 (410).

Dimensions:



Model	Size(mm)						
	L	W	A	B	T	H1	H2
TPR15-09(-K)	1500	900	1200	600	200	800	600
TPR15-10(-K)	1500	1000	1200	700	200	800	600
TPR15-12(-K)	1500	1200	1200	900	200	800	600
TPR15-15(-K)	1500	1500	1200	1200	200	800	600
TPR18-09(-K)	1800	900	1500	600	200	800	600
TPR18-10(-K)	1800	1000	1500	700	200	800	600
TPR18-12(-K)	1800	1200	1500	900	200	800	600
TPR18-15(-K)	1800	1500	1500	1200	200	800	600
TPR20-10(-K)	2000	1000	1600	700	200	800	600
TPR20-12(-K)	2000	1200	1600	900	200	800	600
TPR20-15(-K)	2000	1500	1600	1200	200	800	600
TPR24-12(-K)	2400	1200	1800	900	200	800	600
TPR24-15(-K)	2400	1500	1800	1200	200	800	600
TPR24-18	2400	1800	1800	1500	200	800	600
TPR30-12(-K)	3000	1200	1200	900	300	800	500
TPR30-15(-K)	3000	1500	1200	1200	300	800	500
TPR35-12	3500	1200	1400	900	300	800	500
TPR35-15	3500	1500	1400	1200	300	800	500