

Pneumatic Vibration Isolation Optical Tables

ZTP Series Pneumatic Vibration Isolation Optical Table



Naming rule: ZTP 09 - 06 (-K) (-304) (-316)(-WQB)

Series code:
ZTP:pneumatic
vibration
isolation
optical table

Tabletop
length:
09:900mm
12:1200mm
15:1500mm
⋮

Tabletop
width:
06:600mm
09:900mm
12:1200mm
⋮

Tabletop structure:
None(default):Welded table
-K:Bonded trussed
Honeycomb table with
individual cleaning cup

Top surface material:
None(default):SUS430 stainless steel
-304:working surface material is
SUS304 stainless steel
-316:working surface material is
SUS316 stainless steel

Option for air compressor:
None(default): air
compressor is included
-WQB: air compressor is not
included

Features:

- Semi-diaphragm type pneumatic spring, excellent vibration isolation performance.
- The standard table top surface material is SUS430 (1Cr17) high magnetic conductivity stainless steel. In addition, SUS304 weak magnetic conductivity stainless steel, SUS316 extremely weak magnetic conductivity stainless steel are also available.
- Matte black processed, low reflection working surface.
- The side material is black aluminum-plastic plate, beautiful and practical, and the four corners are covered with stainless steel plate.

Application:

- For optical experiments with high vibration isolation requirements, most ground vibrations need to be isolated, such as optical communication, high magnification optical microscopy, optical imaging, and precision spectral measurement.

Specifications:

- Resonant frequency: $1.5\sim 3\text{Hz}$, depends on the load and actual application
- Surface Flatness: $0.02\sim 0.05\text{mm}/600\text{mm}\times 600\text{mm}$
- Working surface: $4\sim 6\text{mm}$ thick stainless steel
- Bottom Skin: $4\sim 6\text{mm}$ thick carbon steel
- Tabletop thickness: 100/200/300mm
- Total height(tabletop and frame): 800mm
Height adjustment range is $-10\sim +15\text{mm}$
- Mounting hole grid: $25\text{mm}\times 25\text{mm}$
- Mounting hole to borders: 37.5mm
- Mounting hole: M6
- Tabletop Weight: 100mm thickness: $120\text{Kg}/\text{m}^2$
200mm thickness: $140\text{Kg}/\text{m}^2$
300mm thickness: $167\text{Kg}/\text{m}^2$

Details:

Oil/water separator



Portable air compressor



Structure to adjust the levelness and height of the pneumatic optical table



Semi-diaphragm type pneumatic spring



Corner covered with stainless steel



Accessories:

Wrench



Bullseye level



Selection Table:

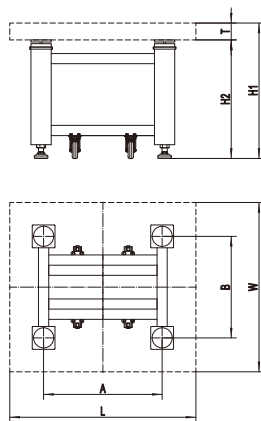
Model	Size(mm)	Tabletop thickness(mm)	Tabletop weight(Kg)	Table Feet Area(mm)	Load capacity(Kg)	Notes
ZTP09-06(-K)	900×600×800	100	65	120×120	400	4legs
ZTP10-08(-K)	1000×800×800	100	96	120×120	400	4legs
ZTP12-06(-K)	1200×600×800	100	86	120×120	400	4legs
ZTP12-08(-K)	1200×800×800	100	115	120×120	400	4legs
ZTP12-09(-K)	1200×900×800	100	130	120×120	400	4legs
ZTP12-10(-K)	1200×1000×800	100	144	120×120	400	4legs
ZTP12-12(-K)	1200×1200×800	100	173	120×120	400	4legs
ZTP15-09N(-K)	1500×900×800	100	149	160×160	600	4legs
ZTP15-10N(-K)	1500×1000×800	100	165	160×160	600	4legs
ZTP15-12N(-K)	1500×1200×800	100	198	160×160	600	4legs
ZTP15-15N(-K)	1500×1500×800	100	270	160×160	600	4legs
ZTP15-09(-K)	1500×900×800	200	189	160×160	600	4legs
ZTP15-10(-K)	1500×1000×800	200	210	160×160	600	4legs
ZTP18-09(-K)	1800×900×800	200	227	160×160	800	4legs
ZTP18-10(-K)	1800×1000×800	200	252	160×160	800	4legs
ZTP18-12(-K)	1800×1200×800	200	302	160×160	800	4legs
ZTP18-15(-K)	1800×1500×800	200	378	160×160	800	4legs
ZTP20-10(-K)	2000×1000×800	200	280	160×160	800	4legs
ZTP20-12(-K)	2000×1200×800	200	336	160×160	800	4legs
ZTP20-15(-K)	2000×1500×800	200	420	160×160	800	4legs
ZTP24-12(-K)	2400×1200×800	200	403	160×160	800	4legs
ZTP24-15(-K)	2400×1500×800	200	504	160×160	800	4legs
ZTP24-18*	2400×1800×800	200	605	160×160	800	4legs
ZTP30-12(-K)	3000×1200×800	300	601	160×160	1200	6legs
ZTP30-15(-K)	3000×1500×800	300	752	160×160	1200	6legs
ZTP35-12	3500×1200×800	300	701	160×160	1200	6legs
ZTP35-15	3500×1500×800	300	877	160×160	1200	6legs

Notes: Model without (-K), indicating no option for honeycomb bonded trussed tabletop with individual cleaning cup.

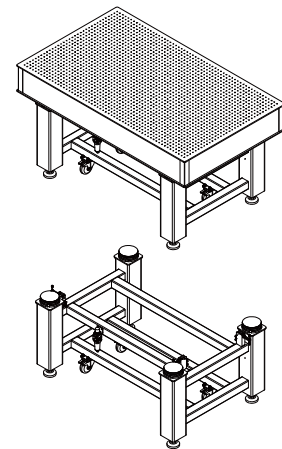
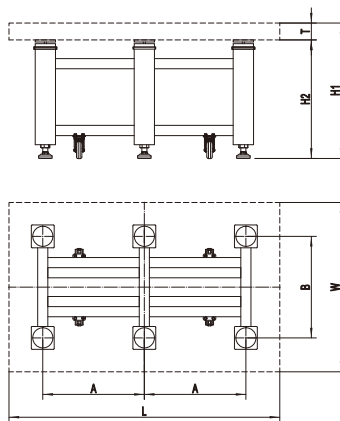
*Notes: If the tabletop width is larger than 1500mm (not included), the material of working surface is 1Cr13 (410).

Dimensions:

4 legs



6 legs



Model	Size(mm)						
	L	W	A	B	T	H1	H2
ZTP09-06(-K)	900	600	650	400	100	800	700
ZTP10-08(-K)	1000	800	750	600	100	800	700
ZTP12-06(-K)	1200	600	900	400	100	800	700
ZTP12-08(-K)	1200	800	900	600	100	800	700
ZTP12-09(-K)	1200	900	900	700	100	800	700
ZTP12-10(-K)	1200	1000	900	750	100	800	700
ZTP12-12(-K)	1200	1200	900	900	100	800	700
ZTP15-09N(-K)	1500	900	1100	700	100	800	700
ZTP15-10N(-K)	1500	1000	1100	750	100	800	700
ZTP15-12N(-K)	1500	1200	1100	900	100	800	700
ZTP15-15N(-K)	1500	1500	1100	1100	100	800	700
ZTP15-09(-K)	1500	900	1100	700	200	800	600
ZTP15-10(-K)	1500	1000	1100	750	200	800	600

Model	Size(mm)						
	L	W	A	B	T	H1	H2
ZTP18-09(-K)	1800	900	1200	700	200	800	600
ZTP18-10(-K)	1800	1000	1200	750	200	800	600
ZTP18-12(-K)	1800	1200	1200	900	200	800	600
ZTP18-15(-K)	1800	1500	1200	1100	200	800	600
ZTP20-10(-K)	2000	1000	1200	750	200	800	600
ZTP20-12(-K)	2000	1200	1200	900	200	800	600
ZTP20-15(-K)	2000	1500	1200	1100	200	800	600
ZTP24-12(-K)	2400	1200	1400	900	200	800	600
ZTP24-15(-K)	2400	1500	1400	1100	200	800	600
ZTP24-18	2400	1800	1400	1200	200	800	600
ZTP30-12(-K)	3000	1200	1100	900	300	800	500
ZTP30-15(-K)	3000	1500	1100	1100	300	800	500
ZTP35-12	3500	1200	1200	900	300	800	500
ZTP35-15	3500	1500	1200	1100	300	800	500